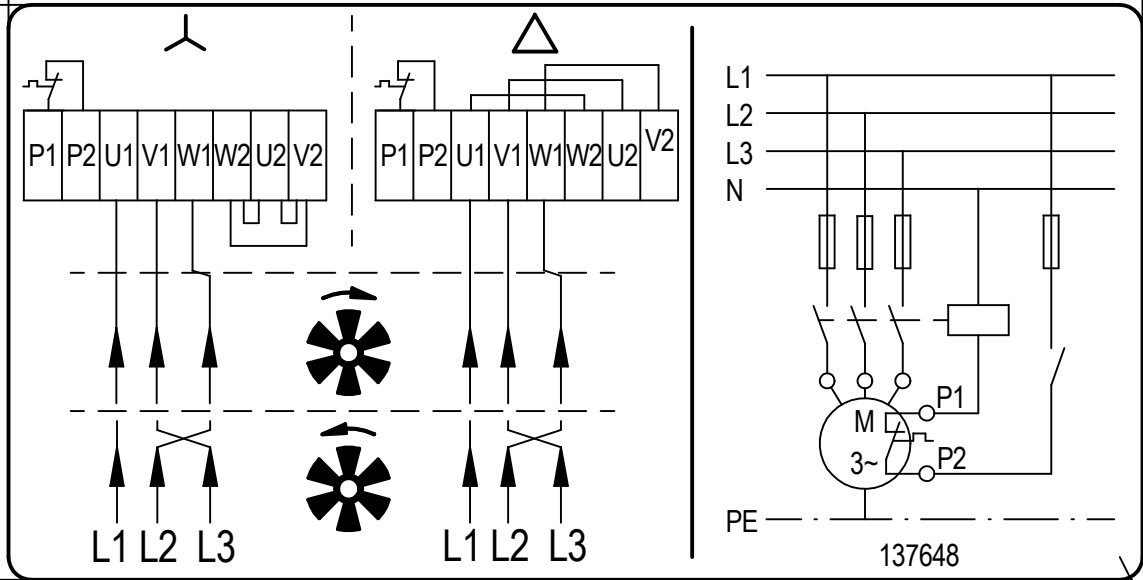


4 3 2 1

75

38



R 15

Material: Haftetiketten leuchtend rot (Luma L 3875/IX)

A	Index	-	-	-	-	-	Material / material:	S. 0.		-		
	Werkstückkanten / edges of working parts DIN 6784			Oberflächenbeschaffenheit / surface texture DIN ISO 1302								
Tolerierung / tolerancing principle DIN ISO 8015							-					
Allg.-Toleranzen General Tolerances	DIN ISO 2768		-	DIN 1688		-	-		-	-		
	-		-	DIN 16901		-	-		-	-		
The copying, distribution and utilization of this document as well as the communication of its contents to others without expressed authorization is prohibited. Offenders will be held liable for the payment of damages. All rights reserved in the event of the grant of a patent, utility model or ornamental design registration. DIN 34				Maßstab / scale		Gewicht / weight		Blatt:				
				2 : 1		-		kg		BL 1/1		
				designer		Datum / date		Name / name		Ident Nr. / ident no:		
				checked		01.07.2005		wWA		137648		
norm		01.07.2005		wWA								
SÜD-ELECTRIC AG MOTOREN - VENTILATOREN / MOTORS - FANS				Bezeichnung:								
				Schaltbild SB-5391/1								
				MD_								
				A4								